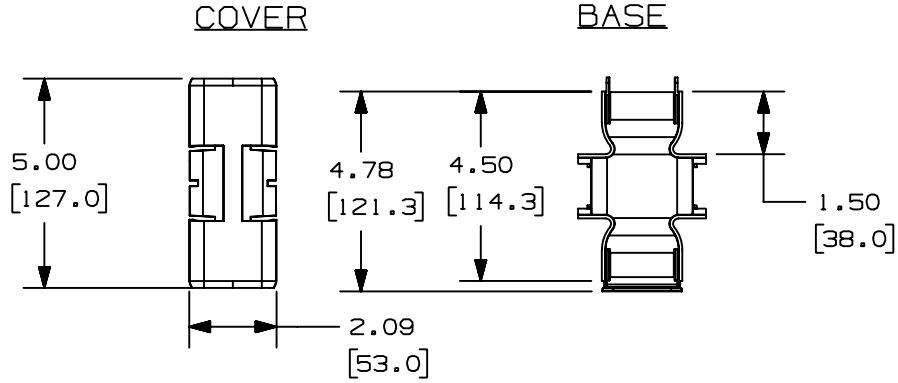
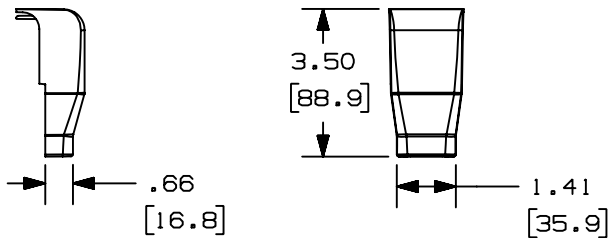
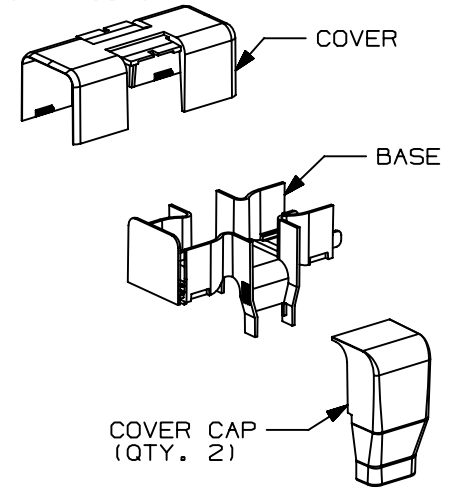
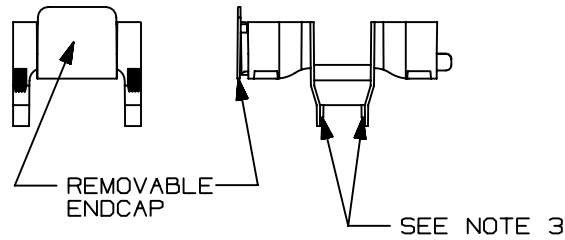


THIS COPY IS PROVIDED ON A RESTRICTED BASIS AND IS NOT TO BE USED IN ANY WAY DETRIMENTAL TO THE INTERESTS OF PANDUIT CORP.



PANDUIT PART NO.	WEIGHT
OFR20DSO	.247 lbs (112.04 g)

- NOTES:
- SEE CURRENT CATALOG FOR ADDITIONAL PART NUMBER SUFFIXES TO INDICATE COLOR AND/OR PACKAGE QUANTITY.
 - DIMENSIONS IN PARENTHESES ARE IN METRIC.
 - TAB STOPS ARE USED TO POSITION VERTICAL RACEWAY (OFVR5).
 - FITTING WORKS WITH FURNITURE PANELS 1.88"-2.30" THICK.



CAD FILENAME/LAYERS D38883BC_DC_OFR20DSO_00A.PRT

PANDUIT CORP. TINLEY PARK, ILLINOIS
OFFICE FURNITURE DOUBLE SPILL
OVER FITTING (OFR20DSO)
CUSTOMER DRAWING

UNLESS OTHERWISE SPECIFIED,
DIMENSIONAL TOLERANCES ARE:
(.X) ± (.XXX) ±
(.XX) ± .03 (.8) ANGLES ±

UNLESS OTHERWISE SPECIFIED,
ALL DIMENSIONS ARE GIVEN
IN INCHES, THIRD ANGLE PROJECTION.

DRAWN BY
JBN

MAT'L:

SCALE NONE

DATE
07-06-04

PVC

DRAWING NO.
38883-03

DWG
A
SIZE

REV	DATE	BY	CHK	DESCRIPTION	ECN	CHK	CUST	SUP
R	07-06-04	JBN		DRAWING RELEASED				